

EF60D

ULTRAFAST RECOVERY GLASS PASSIVATED RECTIFIER CHIPS

VOLTAGE: 200V

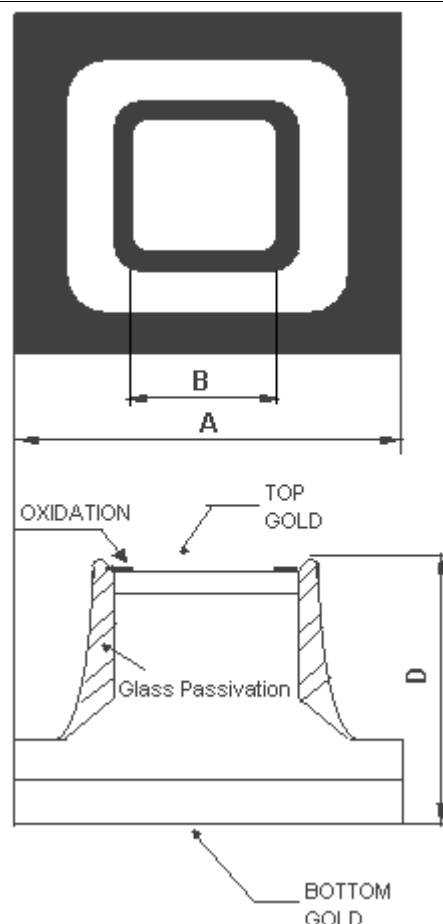
GPP DICE: 60MIL



FEATURE

Ultrafast Recovery Times
150°C Operating Junction Temperature
Low Forward Voltage
Low Leakage Current
Glass Passivated Junction
High surge capability

GPP 60MIL



A(mm)	B(mm)	D(mm)
1.51+0.03 -0.04	0.99±0.05	0.30±0.03

	SYMBOL	EF60D	units
Maximum Recurrent Peak Reverse Voltage	V _{rrm}	200	V
Maximum RMS Voltage	V _{rms}	140	V
Maximum DC blocking Voltage	V _{dc}	200	V
Peak Forward Surge Current 8.3ms single half sine-wave superimposed on rated load	I _{fsm}	100	A
Maximum Forward Voltage at rated Forward Current and 25°C	V _{f1}	0.95	at=2.0A
	V _{f2}	1.30	at=6.0A
Maximum DC Reverse Current Ta =25°C at rated DC blocking voltage Ta =125°C	I _r	5	μA
		50	μA
Maximum Reverse Recovery Time (Note 1)	T _{rr}	25	nS
Storage and Operating Temperature Range	T _{stg} , T _j	-55 to +150	°C

Note:
Reverse Recovery Condition I_f =0.5A, I_r =1.0A, I_{rr} =0.25A