

# KBU4A THRU KBU4M

## SINGLE PHASE SILICON BRIDGE RECTIFIER

VOLTAGE: 50 to 1000V

CURRENT: 4.0A

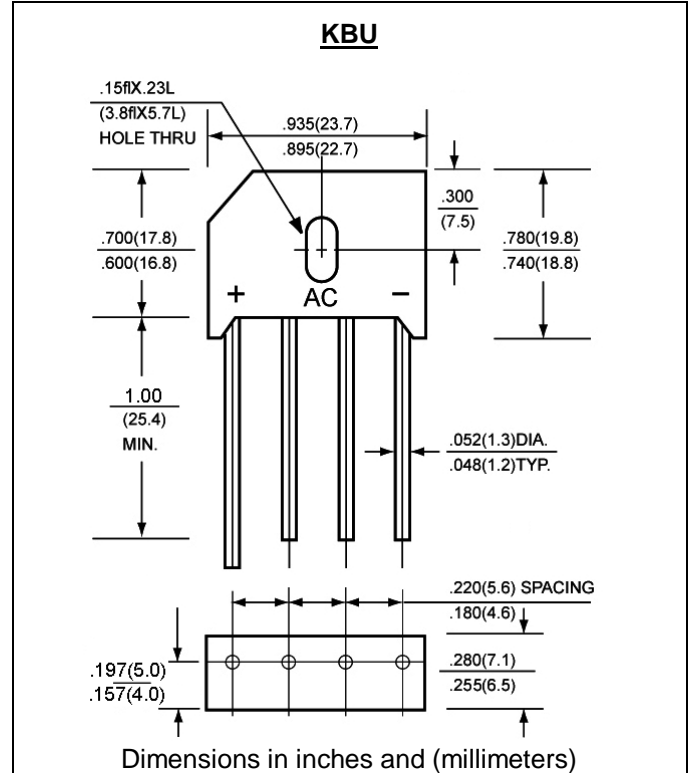


### FEATURE

Ideal for printed circuit board  
Surge overload rating: 200 A peak  
High case dielectric strength

### MECHANICAL DATA

Terminal: Plated leads solderable per J-STD-002  
Case: UL-94 Class V-0 recognized Flame Retardant Epoxy  
Polarity: Polarity symbol marked on body  
Mounting position: any



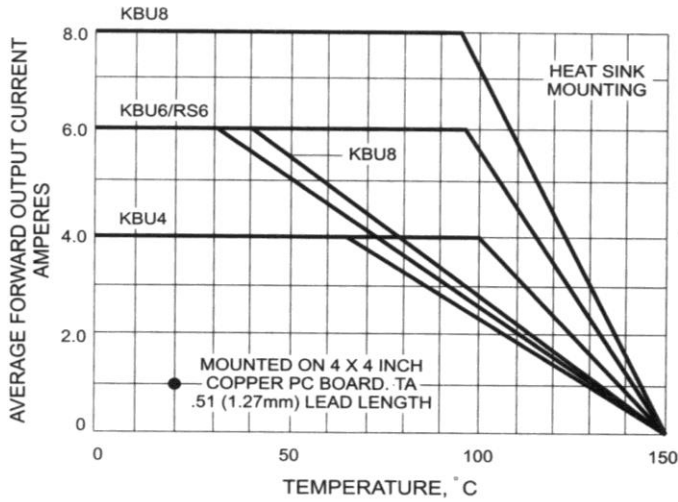
### MAXIMUM RATINGS AND ELECTRICAL CHARACTERISTICS

(single-phase, half -wave, 60HZ, resistive or inductive load rating at 25°C, unless otherwise stated)

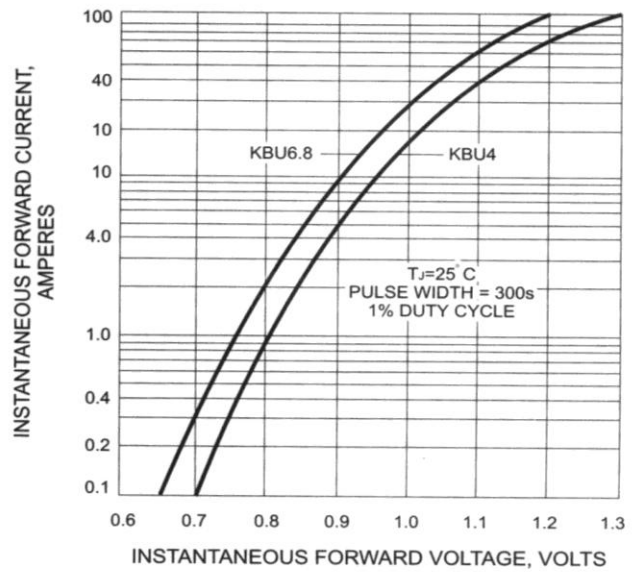
	SYMBOL	KBU 4A	KBU 4B	KBU 4D	KBU 4G	KBU 4J	KBU 4K	KBU 4M	units
Maximum Recurrent Peak Reverse Voltage	V <sub>rrm</sub>	50	100	200	400	600	800	1000	V
Maximum RMS Voltage	V <sub>rms</sub>	35	70	140	280	420	560	700	V
Maximum DC blocking Voltage	V <sub>dc</sub>	50	100	200	400	600	800	1000	V
Maximum Average Forward Rectified Current at T <sub>c</sub> = 65°C	I <sub>f(av)</sub>	4.0							A
Peak Forward Surge Current 8.3ms single half sine-wave superimposed on rated load	I <sub>fsm</sub>	200.0							A
Maximum Instantaneous Forward Voltage at forward current 2.0A DC	V <sub>f</sub>	1.1							V
Maximum DC Reverse Current Ta = 25°C at rated DC blocking voltage	I <sub>r</sub>	10.0							μA
		500							μA
Operating Temperature Range	T <sub>j</sub>	-55 to +150							°C
Storage and Operation Junction Temperature	T <sub>stg</sub>	-55 to +150							°C

# RATINGS AND CHARACTERISTIC CURVES KBU4A THRU KBU4M

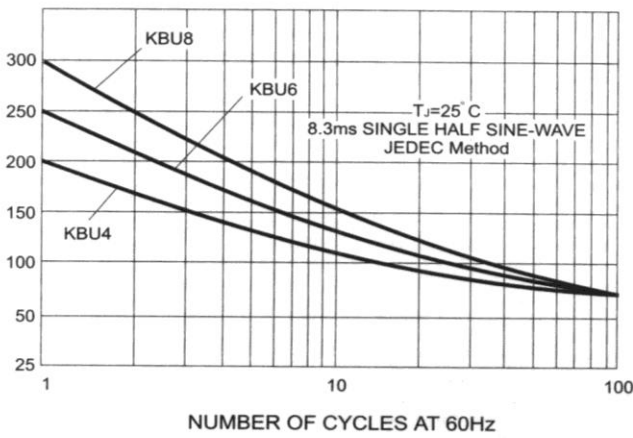
**FIG. 1 - DERATING CURVE FOR OUTPUT RECTIFIED CURRENT**



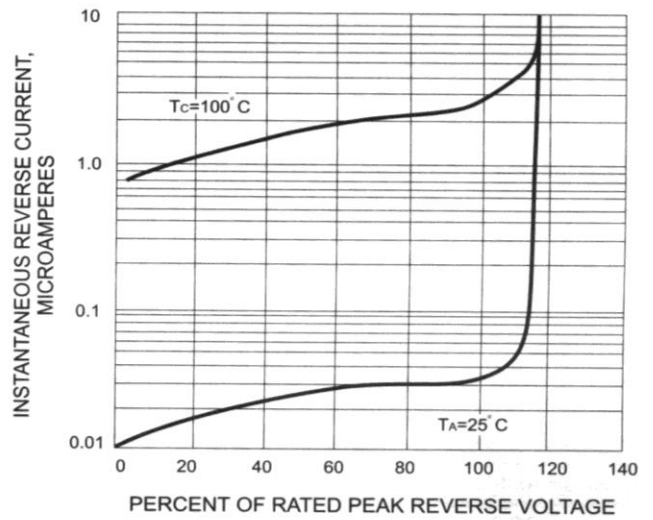
**FIG. 2 - TYPICAL INSTANTANEOUS FORWARD CHARACTERISTIC**



**FIG. 3 - MAXIMUM NON-RETTITIVE PEAK FORWARD SURGE CURRENT**



**FIG. 4 - TYPICAL REVERSE CHARACTERISTICS**



**FIG. 5 - TYPICAL JUNCTION CAPACITANCE PER ELEMENT**

