

LV15GB60-E

SINGLE PHASE GLASS PASSIVATED LOW VF BRIDGE RECTIFIER

Voltage: 600V

Current: 15A

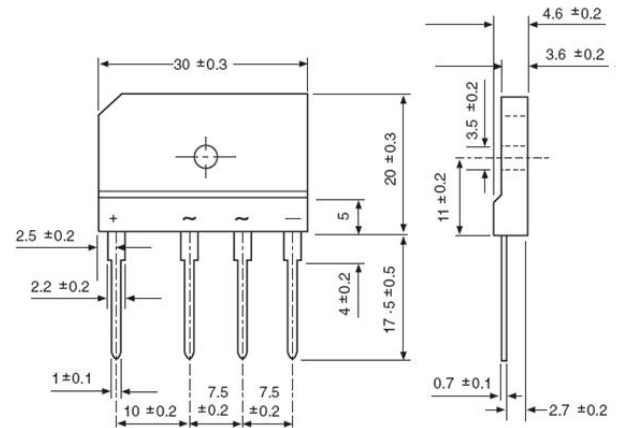
Features

Glass passivated chip junction
Ideal for printed circuit board
High surge current capability
High case dielectric strength
This series is UL listed under Recognized Component Index, file number E330278
Halogen Free

Mechanical Data

Terminal: Plated leads solderable per J-STD-002
Case: UL-94 Class V-0 recognized Halogen Free Epoxy
Polarity: Polarity symbol marked on body
Mounting position: any

GSIB-5S



Dimensions in millimeters

MAXIMUM RATINGS AND ELECTRICAL CHARACTERISTICS

(single-phase, half -wave, 60Hz, resistive or inductive load rating at 25°C, unless otherwise stated)

	Symbol	LV15GB60-E	units
Maximum repetitive peak reverse voltage	V _{rrm}	600	V
Maximum RMS voltage	V _{rms}	420	V
Maximum DC blocking voltage	V _{dc}	600	V
Maximum average forward Rectified output current at T _c = 102°C (Note 1) Ta = 25°C (Note 2)	I _{f(av)}	15.0 3.5	A
Peak forward surge current single sine-wave superimposed on rated load	I _{fsm}	400	A
Maximum instantaneous forward voltage drop per leg at 7.5A	V _f	0.90	V
Rating for fusing (t < 8.3ms)	I ² t	664	A ² Sec
Maximum DC reverse current at rated DC blocking voltage per leg Ta = 25°C Ta = 125°C	I _r	10.0 250	μA
Maximum thermal resistance per leg (Note2) (Note1)	R _{th(ja)} R _{th(jc)}	22.0 1.2	°C/W
Operating junction and storage temperature range	T _j , T _{stg}	-55 to +150	°C

Note:

- Unit case mounted on Al plate heatsink
- Unit case mounted on P.C.B. without heatsink
- Recommended mounting position is to bolt down on heatsink with silicone thermal compound for maximum heat transfer with #6 screw

RATINGS AND CHARACTERISTIC CURVES LV15GB60-E

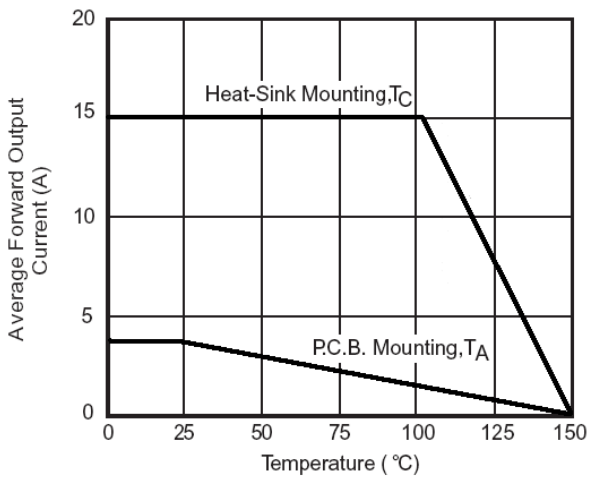


Figure 1. Derating Curve Output Rectified Current

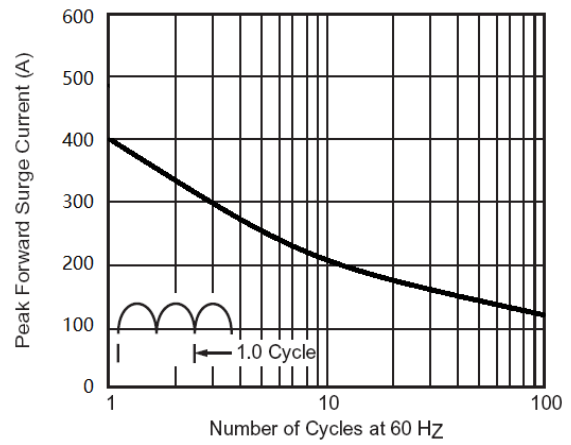


Figure 2. Maximum Non-Repetitive Peak Forward Surge Current Per Leg

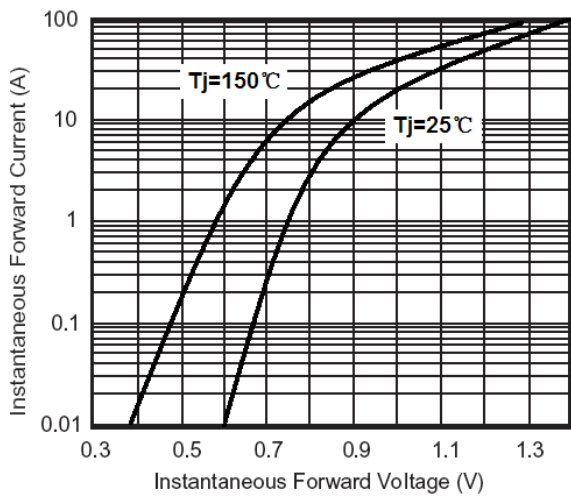


Figure 3. Typical Forward Characteristics Per Leg

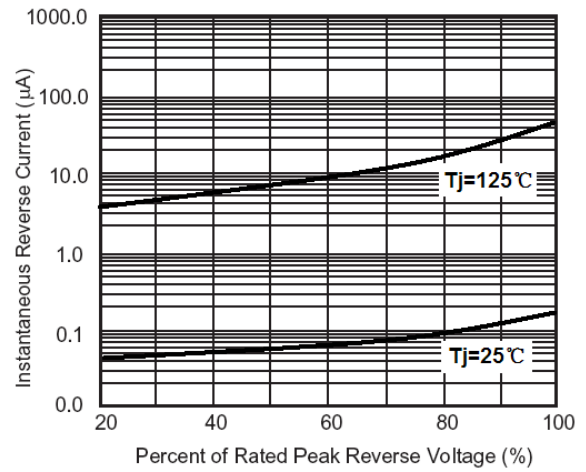


Figure 4. Typical Reverse Characteristics Per Leg

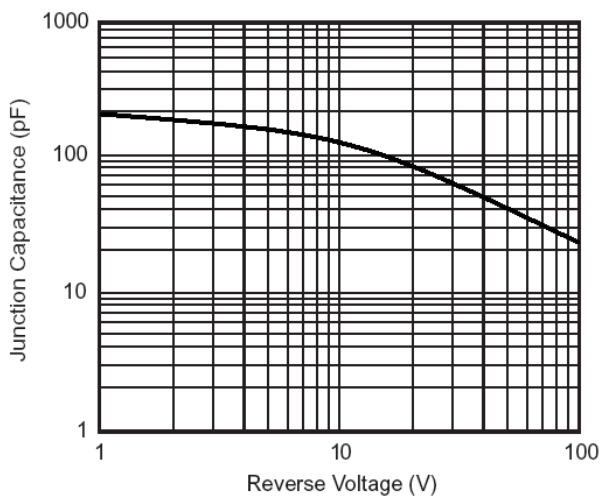


Figure 5. Typical Junction Capacitance Per Leg