

UG3KB05A-E THRU UG3KB100A-E

SINGLE PHASE GLASS PASSIVATED BRIDGE RECTIFIER

Voltage: 50 to 1000V

Current:3.0A



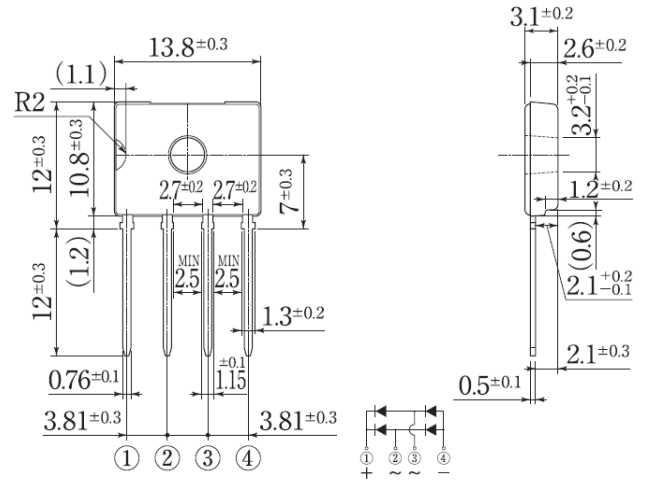
Features

Glass passivated chip junction
High case dielectric strength
High surge current capability
Ideal for printed circuit board
Halogen Free

Mechanical Data

Terminal: Plated leads solderable per J-STD-002
Case: Halogen Free Epoxy
Polarity: Polarity symbol marked on body
Mounting position: any

D3K



Dimensions in millimeters

MAXIMUM RATINGS AND ELECTRICAL CHARACTERISTICS

(single-phase, half -wave, 60HZ, resistive or inductive load rating at 25°C, unless otherwise stated)

	Symbol	UG3 KB05 A-E	UG3 KB10 A-E	UG3 KB20 A-E	UG3 KB40 A-E	UG3 KB60 A-E	UG3 KB80 A-E	UG3K B100 A-E	units	
Maximum repetitive peak reverse voltage	V _{rrm}	50	100	200	400	600	800	1000	V	
Maximum RMS voltage	V _{rms}	35	70	140	280	420	560	700	V	
Maximum DC blocking voltage	V _{dc}	50	100	200	400	600	800	1000	V	
Maximum average forward rectified output current T _c 140°C with heatsink	I _{f(av)}	3.0								A
Peak forward surge current single sine-wave superimposed on rated load (JEDEC Method)	I _{fsm}	100								A
Maximum instantaneous forward voltage drop per leg at 1.5A	V _f	1.05								V
Rating for fusing (3ms ≤ t < 8.3ms)	I ² t	35								A ² Sec
Maximum DC reverse current at rated DC blocking voltage per leg	I _r	10.0 500								μA
Thermal resistance	R _{th(ja)} R _{th(jc)} R _{th(jl)}	55 1.5 15								°C/W
Operating junction and storage temperature range	T _j , T _{stg}	-55 to +150								°C

Note:

RATINGS AND CHARACTERISTIC CURVES UG3KB05A-E THRU UG3KB100A-E

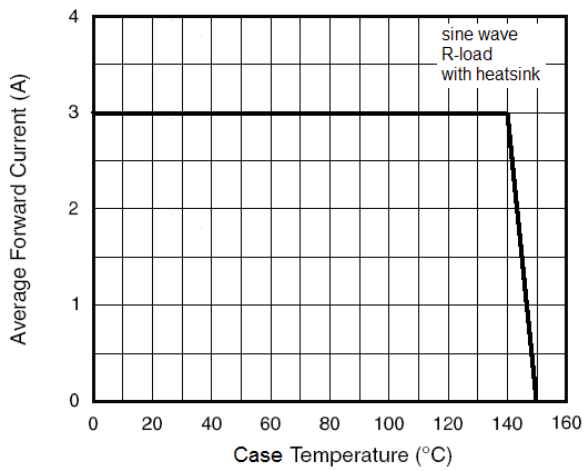


Figure 1. Forward Current Derating Curve

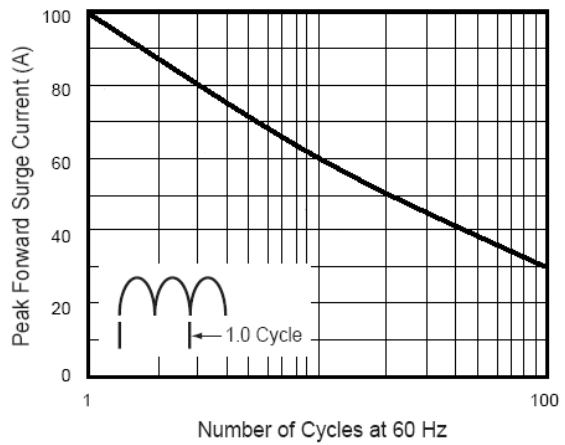


Fig. 2 - Maximum Non-Repetitive Peak Forward Surge Current Per Leg

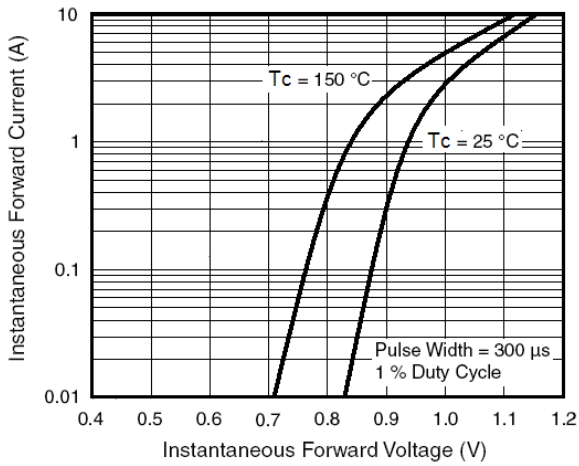


Figure 3. Typical Forward Characteristics Per Diode

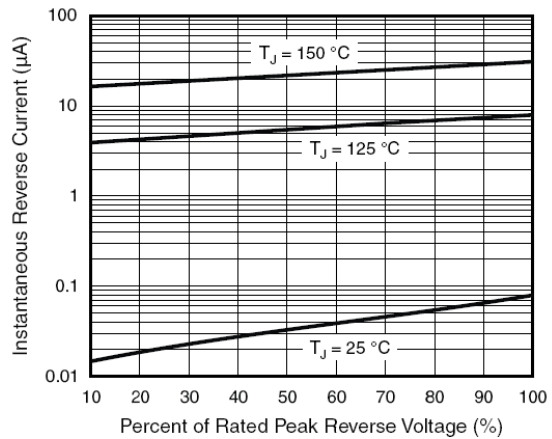


Figure 4. Typical Reverse Leakage Characteristics Per Diode

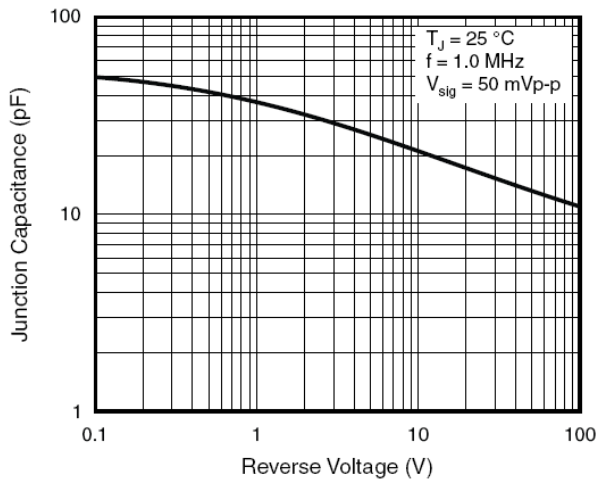


Figure 5. Typical Junction Capacitance Per Diode